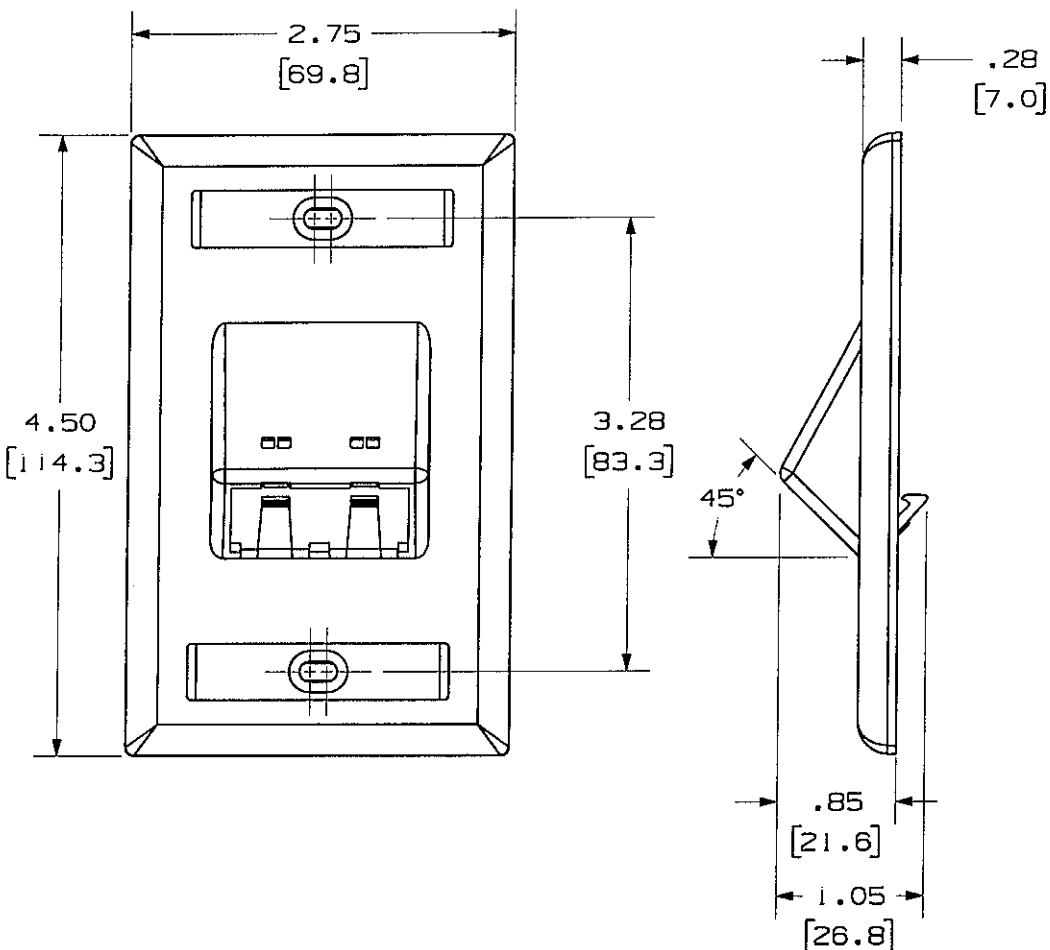
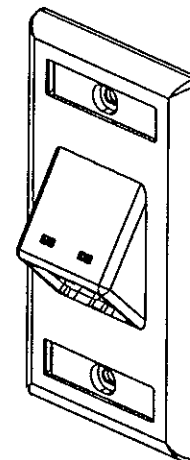


THIS COPY IS PROVIDED ON A RESTRICTED BASIS AND IS NOT TO BE USED IN ANY WAY DETRIMENTAL TO THE INTERESTS OF PANDUIT CORP.



PANDUIT P/N	WEIGHT
CFPSL2**Y	.61 LB/10 PCS. (278.8 G/10 PCS.)

- NOTES:
- SEE CURRENT CATALOG FOR ADDITIONAL PART NUMBER SUFFIXES TO INDICATE COLOR AND OR PACKAGE QUANTITY.
  - SEE CATALOG FOR COMPLETE LIST OF PARTS APPLICABLE FOR USE WITH THIS PART.
  - DIMENSIONS IN [ ] ARE IN METRIC.
  - PART INCLUDES:  
PART INCLUDES:  
1- FACEPLATE  
2- MOUNTING SCREW  
2- LABEL  
2- LABEL COVER



NETWORK SYSTEMS  
MAY 25 2006  
ENGINEERING DEPT

MODEL FILENAME	M00734BE_2POS_VSLOPED_05.PRT	SIZE	A
DRAWING FILENAME	M02479EG_DC113_00A.PRT		

2 POSITION MINI-COM VERTICAL SLOPED  
FACEPLATE WITH LABEL  
CUSTOMER DRAWING

<p>PANDUIT<sup>TM</sup> CORP. TINLEY PARK, ILL 60477</p>	<p>ALL DIMENSIONS ARE GIVEN IN INCHES, UNLESS OTHERWISE SPECIFIED.</p> <p>DIMENSIONAL TOLERANCES ARE:                  (.X) ± (.XXX) ± .010(.3)                  (.XX) ± .031(.8) ANGLES ±</p>	I.I. NUMBER	N/A
	<p>THIRD ANGLE PROJECTION</p>	PRODUCT SPEC	N/A
	<p>SCALE</p>	WORK INSTRUCTION	N/A
	<p>MATERIAL: ABS</p>	SCALE	NONE
<p>DATE 5-2-06</p>	<p>PART NO. CFPSL2**Y</p>		
<p>CHK'D</p>	<p>DRAWING NO. 02479-113</p>		

REV	DATE	BY	CHK	DESCRIPTION	ECN	R	CUST	SUP	OTH
R	5-2-06	JsP	<i>MD</i>	RELEASED TO PRODUCTION	02479-113				